

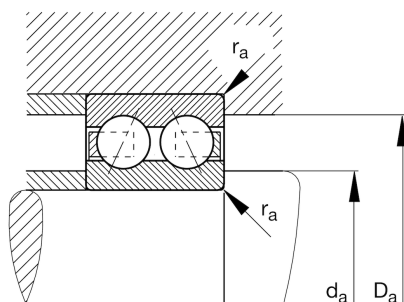
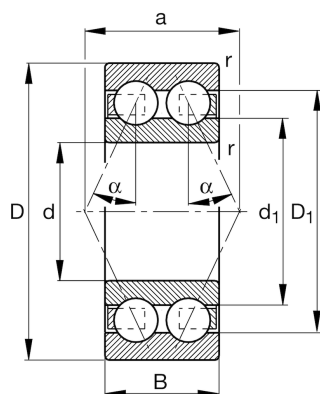
FAG

3201-BB-TVH

Angular contact ball bearing

Schaeffler ID:
0208114110000Angular contact ball bearing 32..-B-TVH,
double row, plastic cage

Technical information



Main Dimensions & Performance Data

d	12 mm	Bore diameter
D	32 mm	Outside diameter
B	15,9 mm	Width
C _r	10.500 N	Basic dynamic load rating, radial
C _{0r}	5.800 N	Basic static load rating, radial
C _{ur}	300 N	Fatigue load limit, radial
n _G	24.600 1/min	Limiting speed
n _{gr}	20.000 1/min	Reference speed
	0,055 kg	Weight

Dimensions

r _{min}	0,6 mm	Minimum chamfer dimension
D ₁	26 mm	Shoulder diameter outer ring
d ₁	17,8 mm	Shoulder diameter inner ring
a	16,5 mm	Distance between the apexes of the pressure cones
α	25 °	Contact angle

Mounting dimensions

d _{a min}	16,2 mm	Minimum diameter shaft shoulder
D _{a max}	27,8 mm	Maximum diameter of housing shoulder
r _{a max}	0,6 mm	Maximum fillet radius

Temperature range

T _{min}	-30 °C	Operating temperature min.
T _{max}	120 °C	Operating temperature max.